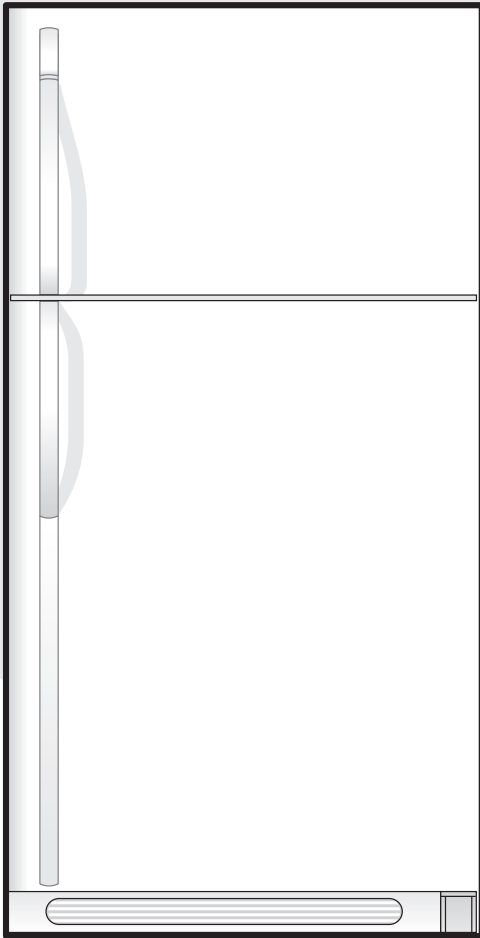


White-Westinghouse INTERNATIONAL

FACTORY PARTS CATALOG



PRODUCT NO.	BASE MODEL NO.	SERIES	COLOR	VOLTS
WRTS23V7CW0	WRTS23V7C	R134a dynamic	white	220
WRTS23V7CW1	WRTS23V7C	R134a dynamic	white	220

MARKET

Export

WIRING DIAGRAM - 240564901 = 0 / 240583901 = 1
 OWNER'S GUIDE - 240432700
 SERVICE DATA SHEET - 240506501 = 0 / 240506505 = 1

International

3 Parkway Center
 Pittsburg, PA 15220

TOP MOUNT REFRIGERATOR

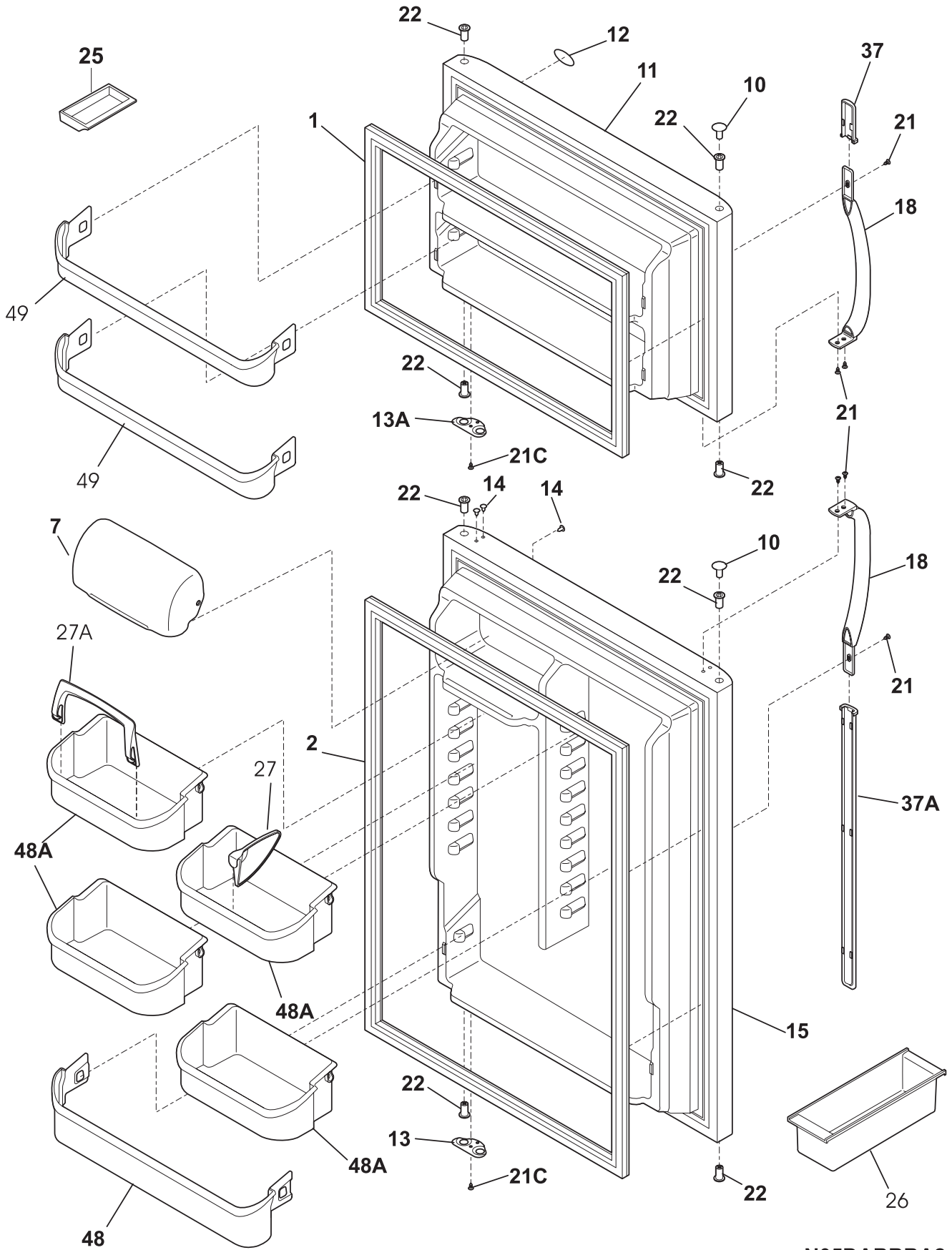
Model No.
 WRTS23V7C

Publication No.
 5995388419

030403
 -EN/SERVICE /ECL
 357

©2003 Electrolux Home Products, Inc.
 All rights reserved

DOOR



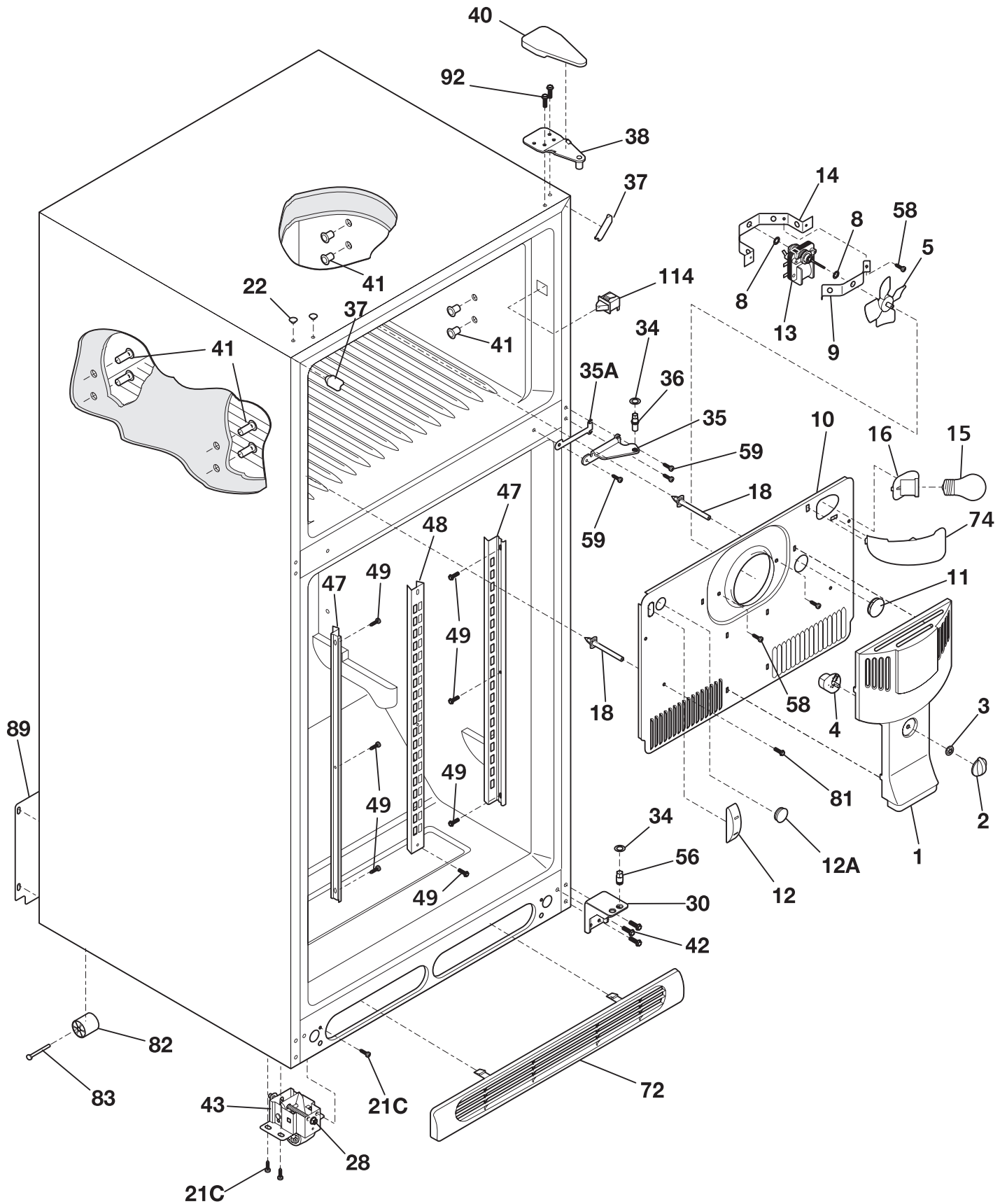
N05DABBBA2

DOOR

A = WRTS23V7C (WRTS23V7CW0)
B = WRTS23V7C (WRTS23V7CW1)

POS. NO	PART NO		DESCRIPTION
1 #	240514607	A B	Gasket,seal ,white ,frzr door ,magnetic
2 #	240514608	A B	Gasket,seal ,white ,refr door ,magnetic
7	240338310	A B	Door-dairy,water blue
10	240381301	A B	Plug-button,white ,hinge brg hole ,(2)
11	240450303	A B	Door-frzr,white
12	240578101	A B	Label-nameplate
13	240312403	A B	Door Stop,white ,ref
13A	240312404	A B	Door Stop,white ,frzr
14	240494001	A B	Plug-button,white
15	240450425	A B	Door-refr,white
18	218668001	A B	Handle-door,white
21	240383401	A B	Screw,truss hd quad ,#10-16 x .500
21C	218252200	A B	Screw,#8 truss hd ,10-32CA x 0.500
22	240527101	A B	Bearing-hinge,natural color
25	5308000716	A B	Dish,butter
26	3204522	A B	Container,egg
27	240396302	A B	Snugger,paddle type
27A	240396102	A B	Retainer,tall bottle
37	215870629	A B	Trim-handle,2.47" ,white ,w/satin AL band
37*	218676004	A B	Band-decorative,satin aluminum ,handle trim
37A	240468401	A B	Trim-handle,26.84" ,white ,lower
37A*	218074001	A B	Plug-button,white ,refr door front ,1 ,lower
37A*	218906701	A B	Lock-handle trim,stick-on
48	240338104	A B	Bin-door,pseudo ,white ,bottom
48A	240338207	A B	Bin-door,gallon ,water blue
49	240495806	A B	Bin-door,pseudo ,frzr

CABINET

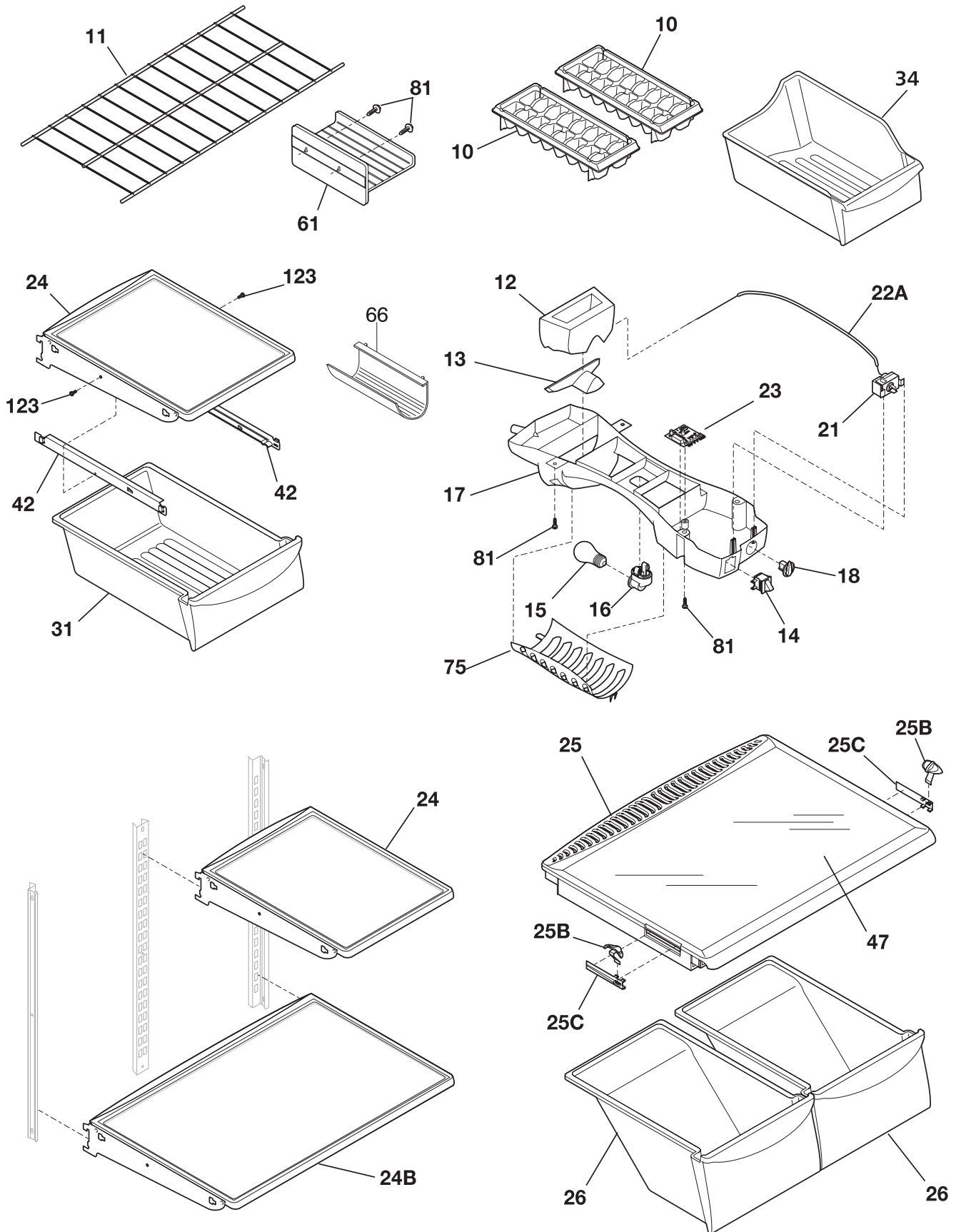


CABINET

A = WRTS23V7C (WRTS23V7CW0)
B = WRTS23V7C (WRTS23V7CW1)

POS. NO	PART NO		DESCRIPTION
1	240355402	A B	Cover-fan
2	240367001	A B	Knob-damper control
3	5303001028	A B	Nut,push-on
4	240367401	A B	Damper-fan cover
5 #	5308000010	A B	Fan Blade,red ,evaporator fan
8	5300157666	A B	Bushing-motor mtg,(2)
9	5303292396	A B	Bracket-motor mtg,front
10	240313607	A B	Cover-evap coil
10*	240568603	A B	Seal-coil cover
10*#	240524801	A B	Wiring Harness,freezer section ,with light
11	5303208309	A B	Plug-hole,factory test
12	240366801	A B	Plug-ice maker harness,rectangular
12A	240374401	A B	Plug-wtr inlet tube,round ,1"
13 #	240419701	A B	Motor,evaporator fan ,220/240 V
13*	218931001	A B	Clamp-motor wiring,nylon ,w/adhesive tape
14	5303292397	A B	Bracket-motor mtg,rear
14*	240433201	A B	Screw,hex washer head ,8-18 x 0.375
15	218095500	A B	Light Bulb/Lamp
16	218971501	A B	Socket-light/lamp
18	240411901	A B	Support-evap cover,(2)
21C	218252200	A B	Screw,#8 truss hd ,10-32CA x 0.500
22	215774901	A B	Plug-button,white ,upr hinge holes
28	240335501	A B	Bolt-roller adj,hex washer head ,1/4-20 x 4.020,(2) ,special
30	240314002	A B	Bracket-lower hinge,white
34	240311301	A B	Washer,hinge ,nylon ,(2)
35	240313802	A B	Bracket-ctr hinge,white
35A	240336801	A B	Spacer-hinge,center
36	240516401	A B	Pin-center hinge
37	240337601	A B	Trim-cabinet corner,white ,(2)
38	240313701	A B	Bracket-upper hinge
40	240354401	A B	Cover-upper hinge,white
41	5303001609	A B	Grommet,shelf mtg ,0.69" ,RH
41*	5308009759	A B	Grommet,shelf mtg ,1.25" ,LH
42	240578901	A B	Screw-hinge mtg,hex head ,1/4-20 x 5/8
43	240335003	A B	Roller Assy,front ,(2)
47	218233300	A B	Channel-shelf mtg,side ,(2)
48	5303292395	A B	Channel-shelf mtg,center
49	218362500	A B	Screw,hex washer head ,8-18AB x 1.250
56	240516501	A B	Pin-lower hinge
58	5303001343	A B	Screw,hex washer head ,8-15A x 0.500
59	240442702	A B	Screw-#10-32 X 3/4,white
72	240368205	A B	Grille/Kickplate,white
74	240354301	A B	Shield-light,frzr
81	5308016566	A B	Screw,hex washer head ,8-15A x 0.625 ,low profile
82	5304418225	A B	Roller,compressor base ,rear ,(2)
83	5303316859	A B	Rivet,flat head ,1/4 OD x 1-3/4 ,roller pin
89	240326119	A B	Cover-access,with label
89*	241500301	A B	Screw,hex washer head ,8-18AB x 0.500
92	216850900	A B	Screw,hex washer hd ,1/4 x 7/8 ,hinge mtg
114#	240505801	A B	Switch,light/lamp
*	218990901	A B	Clip-wire
*	5303305324	A B	Paint,touch-up ,white

SHELVES

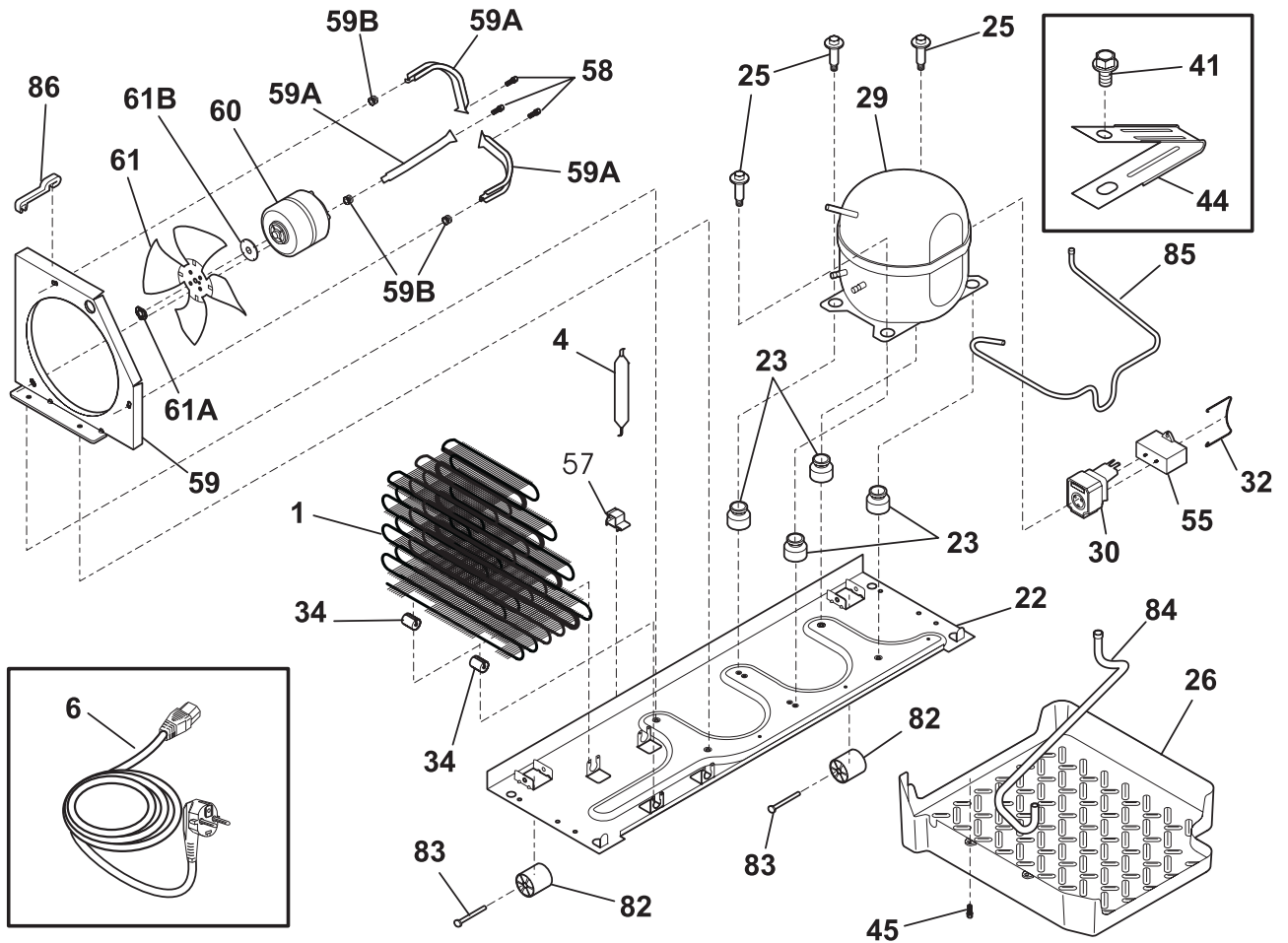
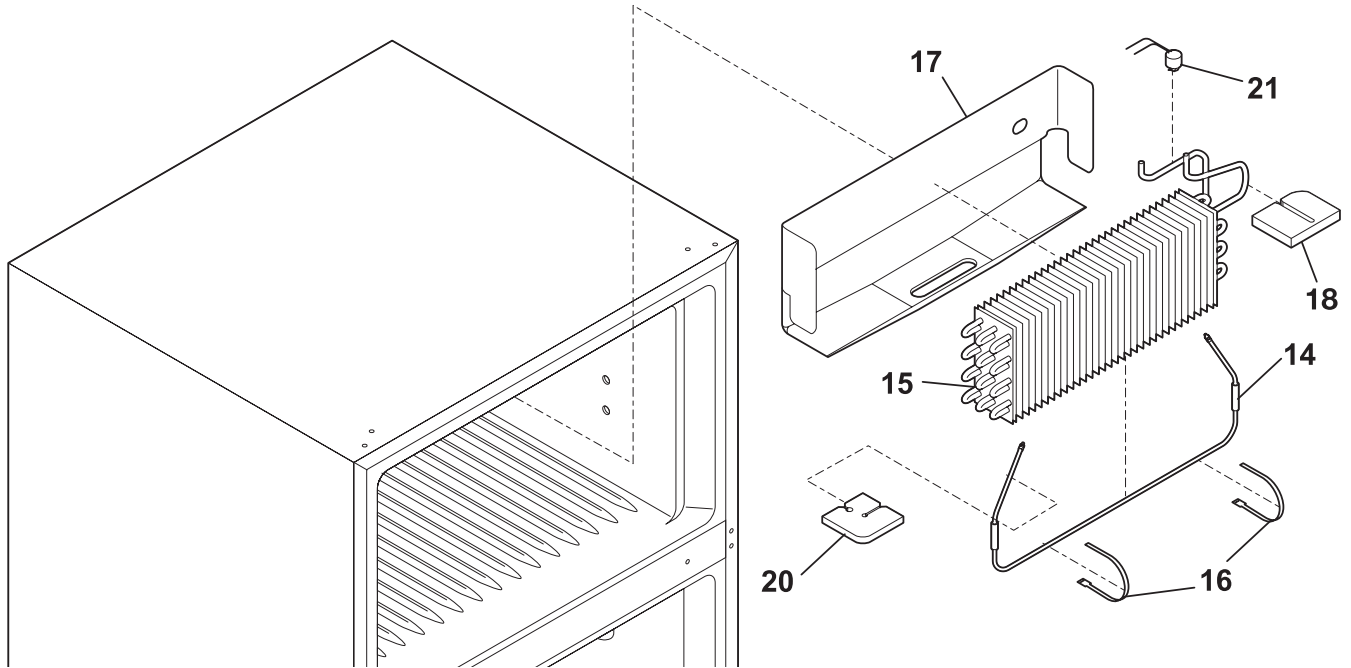


SHELVES

A = WRTS23V7C (WRTS23V7CW0)
B = WRTS23V7C (WRTS23V7CW1)

POS. NO	PART NO		DESCRIPTION
10	215667501	A B	Tray,ice cube ,plastic
11	240358003	A B	Shelf,freezer ,full-width ,wire
11*	5303299664	A B	Spacer,shelf
12	240380202	A B	Diffuser,air ,top
13	240362601	A B	Diffuser,air ,bottom
14 #	240505801	A B	Switch,light/lamp
15	218814400	A B	Light Bulb/Lamp
16	240433702	A B	Socket-light/lamp
17	240368101	A B	Control Box
17*#	240375501	A B	Wiring Harness,control box
18	240360801	A B	Knob,temp control
21 #	5304422717	A B	Control,temperature
22A	240468201	A B	Tube,sensor sleeve ,31 inch ,plastic ,white
23	240545402	A B	Control-defrost,adaptive timer ,220/240 V,PC board
23*	5303001259	A B	Screw-timer mtg,pan hd ,6-20 x 0.438 ,(2)
24	240355206	A B	Shelf,cantilever ,half width ,fixed , "spill safe"
24B	240408901	A B	Shelf,cantilever ,full width ,fixed , "spill safe"
25	240364751	A B	Cover-crisper pan
25B	240361203	A B	Knob,humidity cont.
25C	240361301	A B	Damper,humidity cont.
26	240343805	A B	Pan-crisper,water blue ,(2)
31	240530908	A B	Pan-meat,water blue
34	240385201	A B	Container,ice bin
42	240356501	A B	Track,meat pan hanger ,RH
42	240365401	A B	Track,meat pan hanger ,LH
47	240443329	A B	Insert-pan cover,glass
61	215781501	A B	Shelf,ice tray mount ,wire
66	5304402116	A B	Rack-wine
75	240412701	A B	Shield,light
81	5308016566	A B	Screw,hex washer head ,8-15A x 0.625 ,low profile
123	215005100	A B	Screw,hanger/rlr mtg ,8-10 x 0.438
*	3205266	A B	Edge Protector,wiring harness

SYSTEM



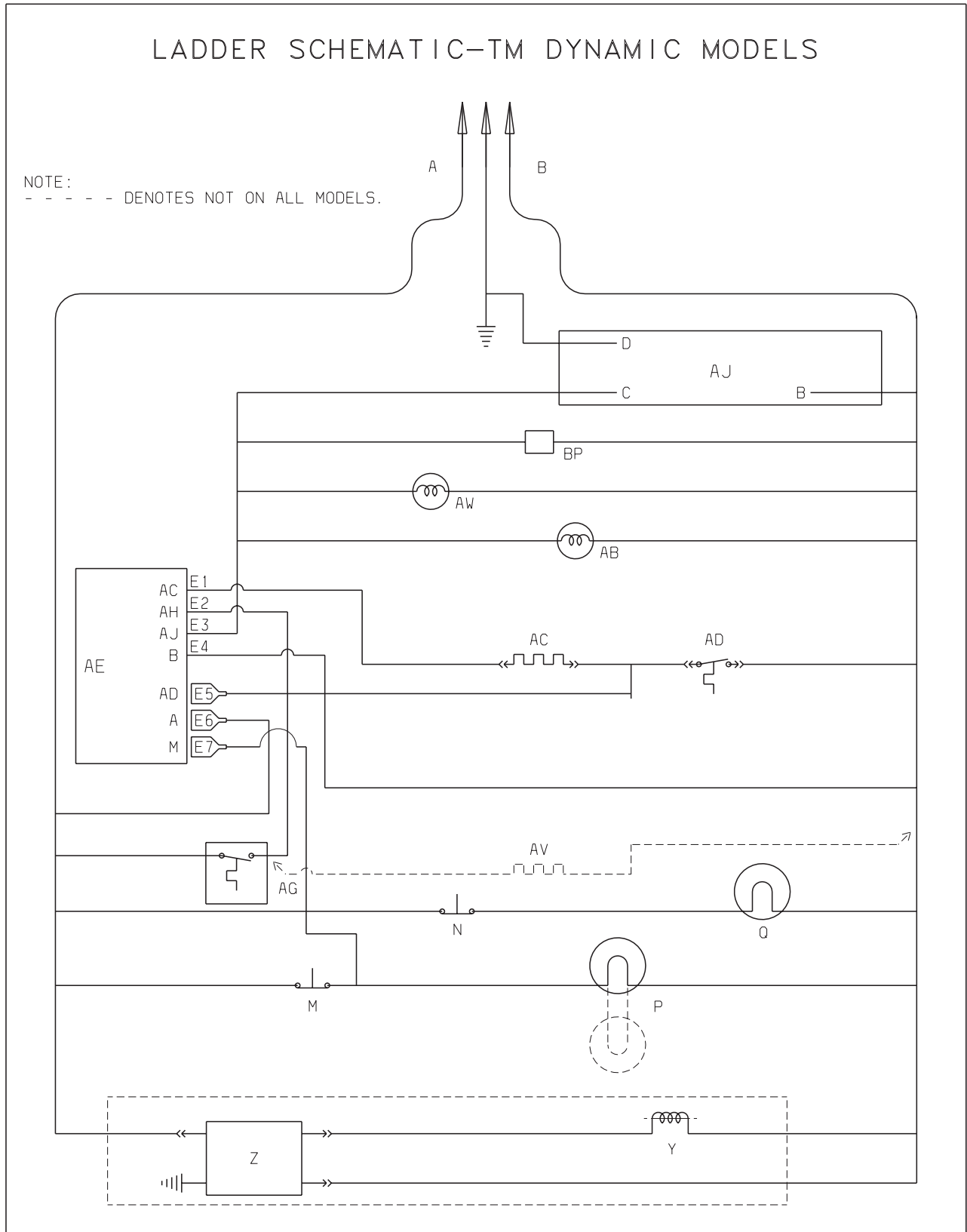
N05CAAABA1

SYSTEM

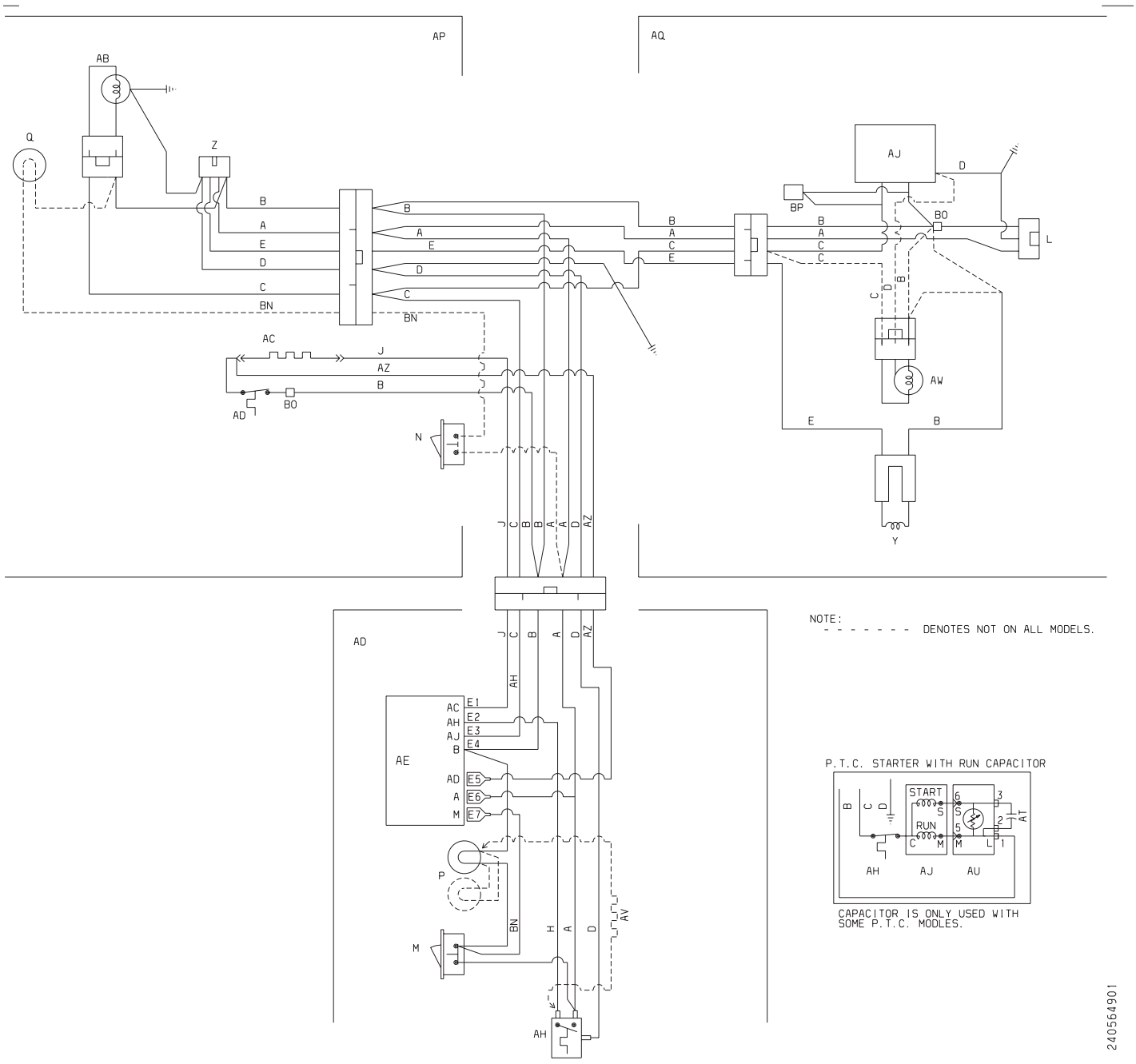
A = WRTS23V7C (WRTS23V7CW0)
B = WRTS23V7C (WRTS23V7CW1)

POS. NO	PART NO		DESCRIPTION
1	240444401	A B	Condenser,dynamic
4 #	218944001	A B	Drier-filter,R134a System
6 #	240449501	A B	Cord-electric power
6*	240447101	A B	Bracket,strain relief
6*	240447201	A B	Clamp,strain relief
6*	240451501	A B	Screw,ind hex wshr hd ,8-32 x 0.375 ,thread rolling
6*	240560101	A -	Harness-wiring,machine compt
6*	240580901	- B	Harness-wiring,machine compt
6* #	240375501	A B	Wiring Harness,control box
6* #	240524801	A B	Wiring Harness,freezer section ,with light
14 #	5303918238	A B	Defrost Heater Kit,220 V
15 #	5303918274	A B	Evaporator Kit
16	5308000110	A B	Strap-evap/heater,aluminum ,(2)
17	240434002	A B	Trough-drain
18	240362301	A B	Insulation,evap block ,foam ,RH
20	240518401	A B	Insulation,evap block ,foam ,LH/RH
21 #	5303918202	A B	Thermostat-defrost,kit
22	240330006	A B	Plate-compr mtg
22*	218252200	A B	Screw,#8 truss hd , 10-32CA x 0.500
23	218513300	A B	Grommet-compr mtg,(4)
25	240491501	A B	Screw-comp,hx wshr hd , 1/4-28 x 1.16,shoulder,typ CF
26	240332602	A B	Pan-defrost drain
29 #	5303918237	A -	Compressor,w/electricals
29	5303918294	- B	Compressor,w/electricals
30 #	5303309882	A -	Relay
30*#	5304422635	A -	Overload Protector,220/240 V
30 #	218721122	- B	Starter,PTC
32	5303006412	A -	Strap-cover mtg
32*	08006982	A -	Cover-terminal
32	240553401	- B	Clamp,elec cont mtg ,compressor
34	240405201	A B	Grommet,rubber ,black ,cond tube/wire
41	240555001	A B	Screw-#8-32 X 3/8
44	5308000133	A B	Clamp,nylon ,.625 ID
45	5308016566	A B	Screw,hex washer head ,8-15A x 0.625 ,low profile
55 #	218909906	A -	Capacitor-run,350-400 VAC ,7.5 micrfard,13.5"wire leads
55*	218897001	A -	Screw,hex washer head ,8-32 x 1/4
55 #	218909908	- B	Capacitor,run
57	240542601	A B	Clip-wiring harness
58	215004600	A B	Screw,hx serr wshr hd ,8-36 x 7/16 ,cond fan motor,(2)
59	240315501	A B	Shroud-cond fan
59*	240346701	A B	Tape-foam seal,shroud
59*	240359401	A B	Screw-fan shroud,(2)
59A	240346501	A B	Bracket-support,cond mtr ,(3)
59B	240346601	A B	Grommet-bracket,(3)
60	240419801	A B	Motor,condensor fan
61 #	240315401	A B	Fan Blade,galv steel ,condenser fan
61A	215004700	A B	Nut,speed
61B	215004800	A B	Grommet-silencer
82	5304418225	A B	Roller,compressor base ,rear ,(2)
83	5303316859	A B	Rivet,flat head ,1/4 OD x 1-3/4 ,roller pin
84	240500801	A B	Tube-drain,rubber ,lower
85	240346201	A -	Tube-connector,suction
85	240553501	- B	Tube-connector,suction
86	240409302	A B	Spacer-cond tube,black
*	240396801	A B	Clamp,tube/wiring ,nylon ,black/natural
* #	5303918210	A B	Heat Exchanger Kit,suction line
*	5303918239	A B	Hot Tube Repair Kit,220 V ,Service

WIRING SCHEMATIC

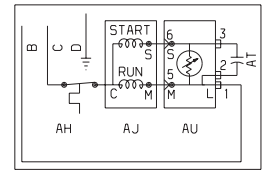


WIRING DIAGRAM



NOTE: - - - - - DENOTES NOT ON ALL MODELS.

P. T. C. STARTER WITH RUN CAPACITOR

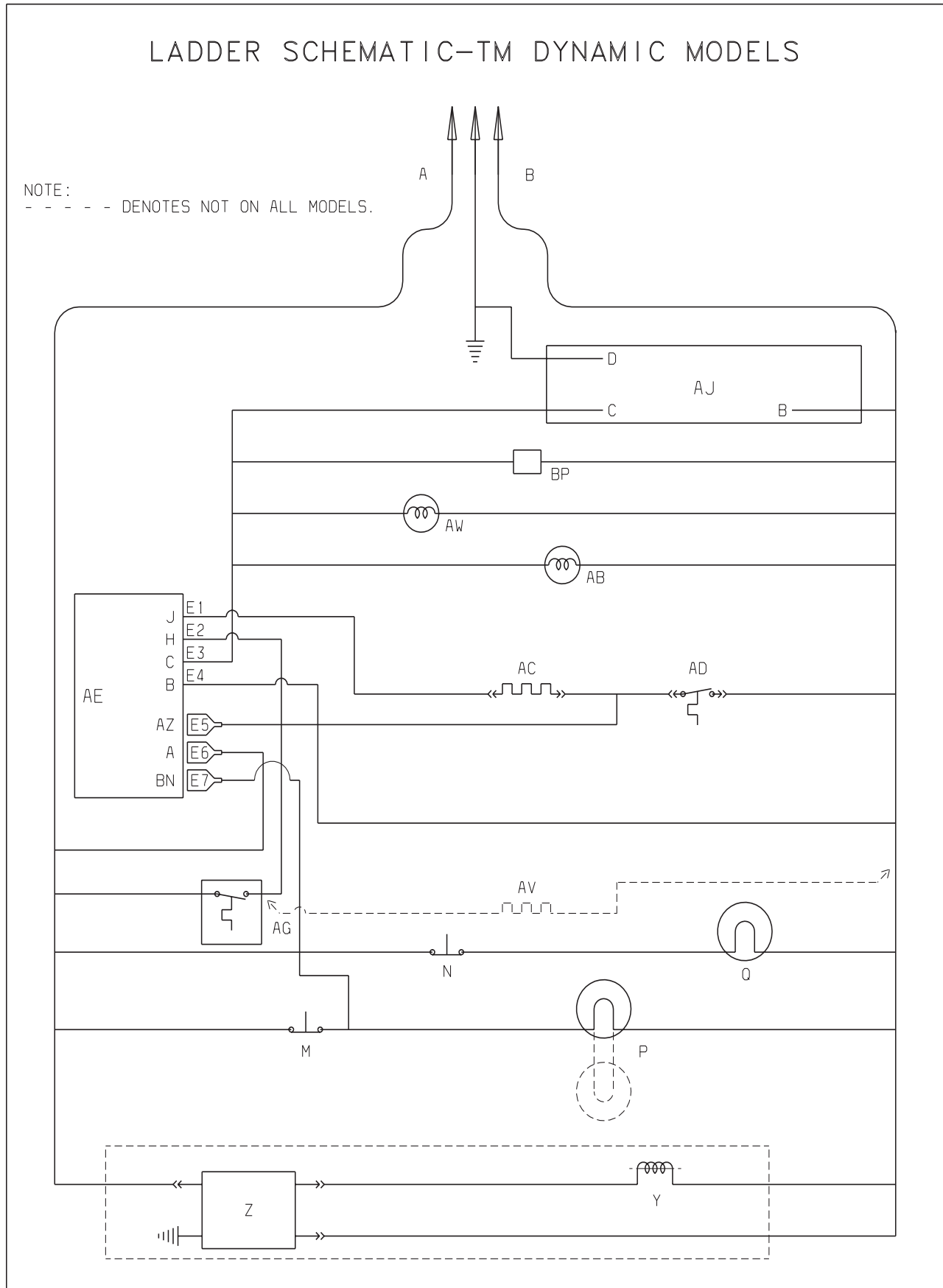


CAPACITOR IS ONLY USED WITH SOME P. T. C. MODELS.

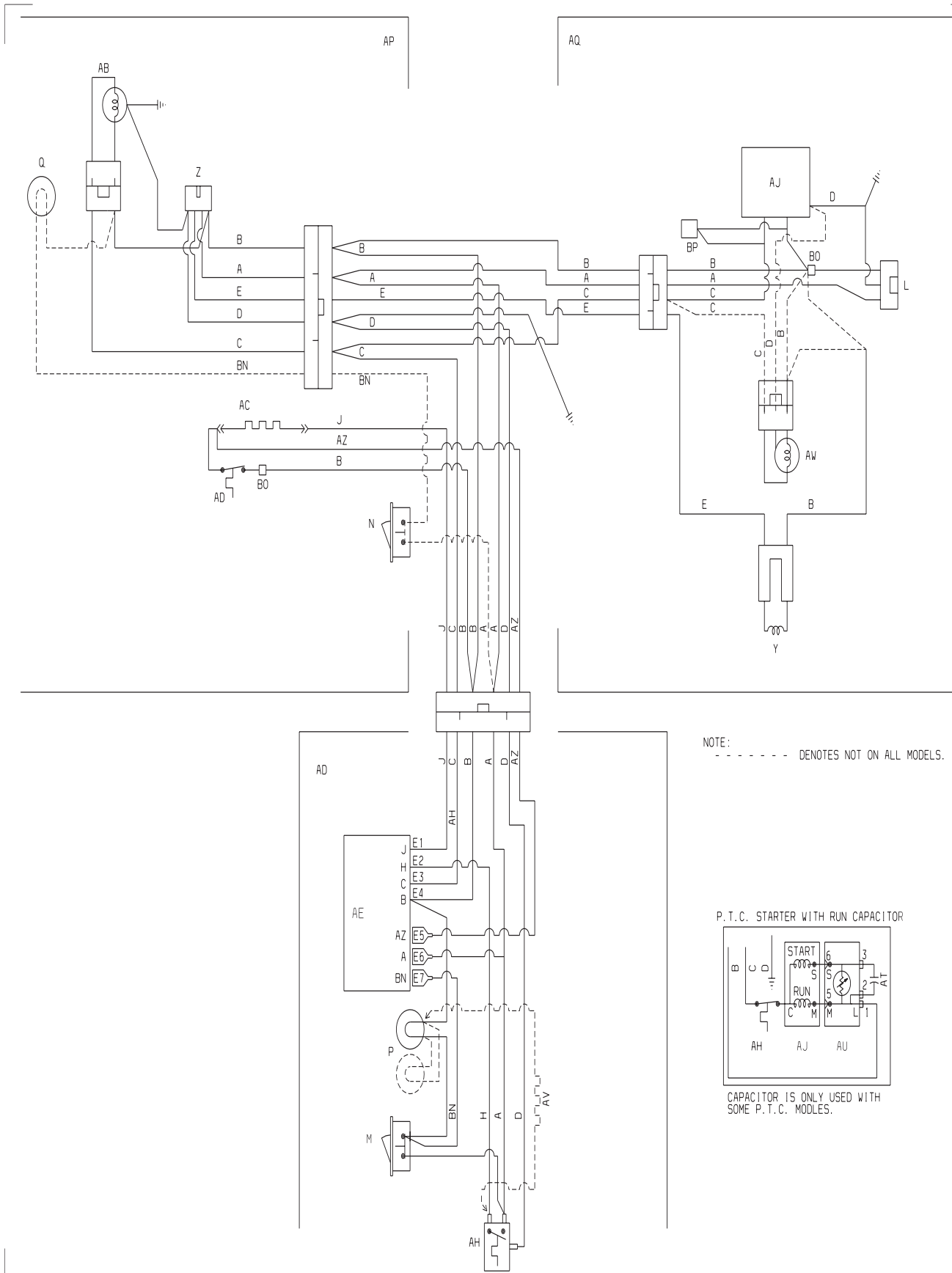
240564901

= Fast-moving Parts
* = Non-illustrated Parts

WIRING SCHEMATIC



WIRING DIAGRAM



= Fast-moving Parts
* = Non-illustrated Parts